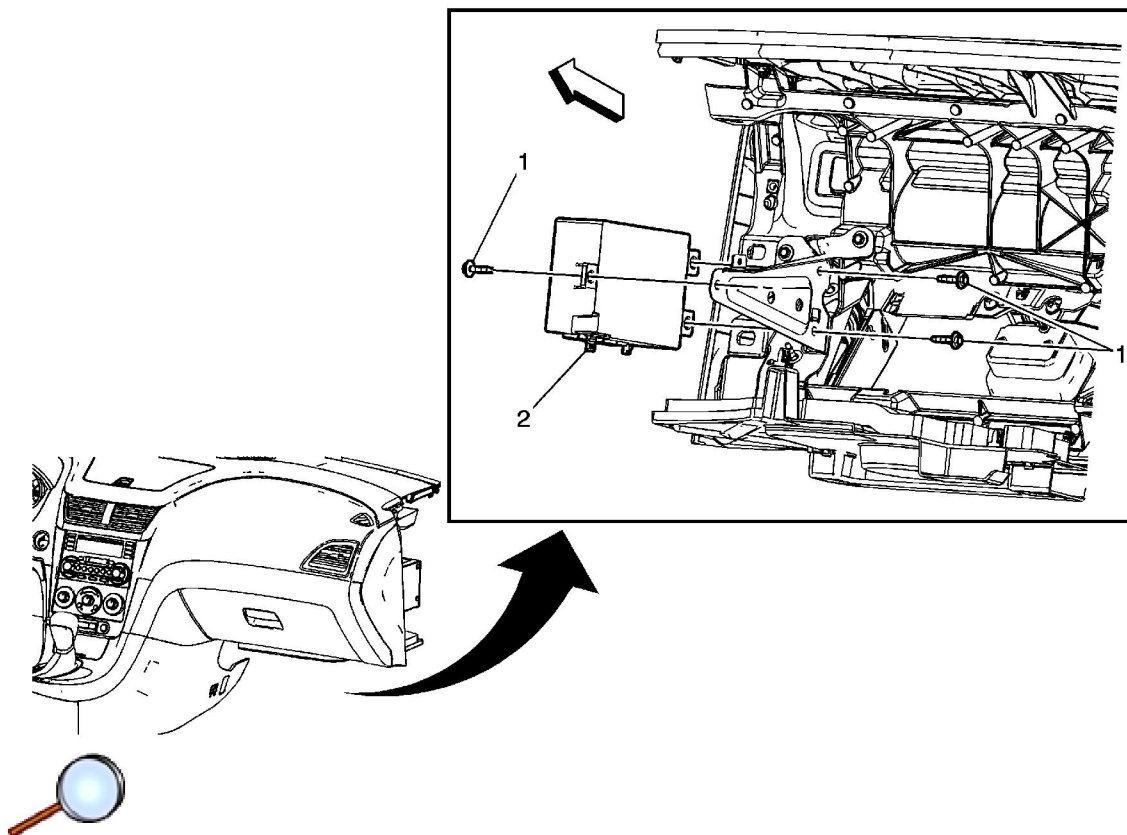


Communication Interface Module Replacement



Callout	Component Name
<p>Preliminary Procedure</p> <ol style="list-style-type: none"> 1. Remove Instrument Panel Compartment. Refer to Instrument Panel Compartment Replacement. 2. Release the Glove Box opening stop tabs to allow glove box to rotate fully open for access to fasteners. 	
1	<p>Communication Interface Module Bolt (Qty: 3)</p> <p>Notice: Refer to Fastener Notice in the Preface section.</p> <p>Tighten 10 N·m (89 lb in)</p>
2	<p>Communication Interface Module</p> <p>Procedure</p> <ol style="list-style-type: none"> 1. Disconnect the electrical connections. 2. If Replacing the Communication Interface Module be sure to transfer Bluetooth Antenna, if equipped. 3. Refer to Control Module References for programming and set up procedures.

© 2012 General Motors Corporation. All rights reserved.